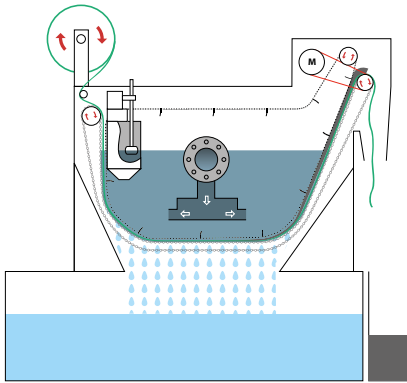


## AUTOMATIC NON-WOVEN DEEP BED FILTER

FLOW RATE FROM 220 TO 2800 L/MIN

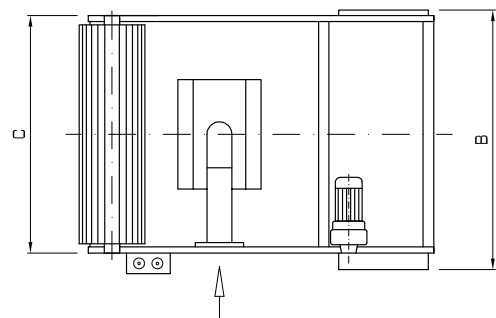
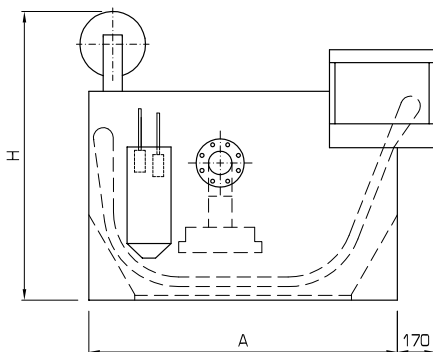


**Series RB automatic deep bed filters clean coolants combining reduced dimensions and high flow rates.**

### ADVANTAGES:

- Suitable for all machine tools
- Reduced non-woven consumption
- Automatic and continuous operation
- Perfect for small and medium- sized systems
- Energy saving
- Compact design
- Minimal maintenance
- High filtration degree thanks to the high hydrostatic head
- Reduced overall dimensions
- Reliable and solid construction
- High hydrostatic pressure
- Automatic non-woven winder with sludge separation available
- Covers and guards on request
- Pairable with series Disk magnetic separator
- Electrical equipment on request

**CHOOSE FILTRA NON-WOVENS FOR A BETTER FILTRATION RESULT!**



RB type	A0.4	A0.8	A1.2	B1.1	B1.6	B2.0	B2.6	B3.1	C4.1	C4.9
l/min*	220	440	660	625	900	1175	1450	1725	2400	2800
A (mm)	830	1330	1830	910	1410	1910	2410	2910	2360	2960
B (mm)	750	750	750	1250	1250	1250	1250	1250	1840	1840
C (mm)	561	561	561	1086	1086	1086	1086	1086	1620	1620

\* Viscosity < 4 cSt - Structure in carbon steel or stainless steel - Colour on request - Subject to technical modifications

Feel free to contact us! Our team can provide your custom solution.